

BRIZO®

LAVATORY FAUCETS

- Odin™ Bath Collection
- Single Handle Deck Mount

STANDARD SPECIFICATIONS:

- Maximum 1.5 gpm @ 60 psi, 5.7 L/min @ 414 kPa.
- Maximum (ECO models only) 1.2 gpm @ 60 psi, 4.5 L/min @ 414 kPa.
- Single hole mount.
- Solid brass fabricated body.
- Control mechanism - 25 mm ceramic disc cartridge with metal stem.
- Spout features hidden water efficient laminar flow aerator.
- 1/2-14 NPSM threaded inlets.
- Drain sold separately.

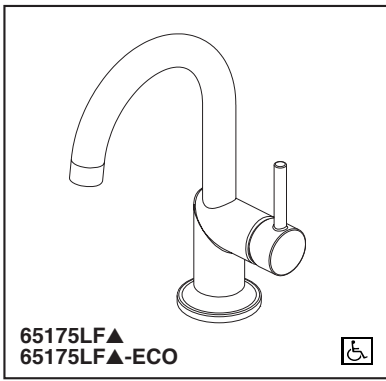
WARRANTY

- Lifetime limited warranty on parts (other than electronic parts and batteries) and finishes: or, for commercial users, for 5 years from date of purchase.
- 5 year limited warranty on electronic parts (other than batteries); or, for commercial users, for 1 year from the date of purchase. No warranty is provided on batteries.



COMPLIES WITH:

- ASME A112.18.1 / CSA B125.1
- Indicates compliance to ICC/ANSI A117.1
- EPA WaterSense®
- Verified compliant with 0.25% weighted average Pb content regulations.

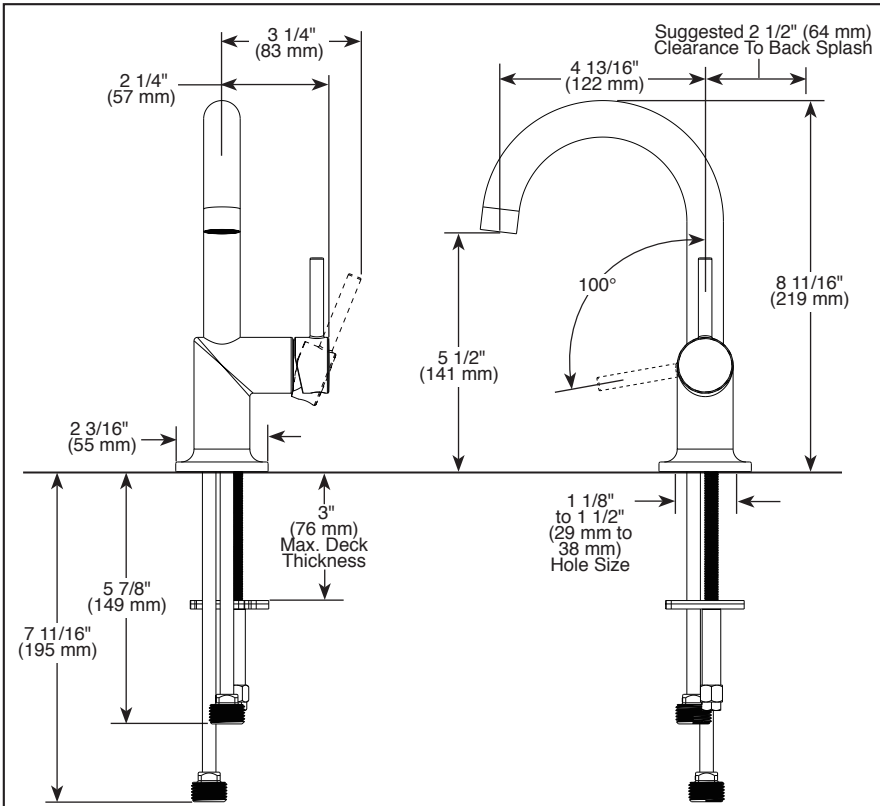


65175LF▲
65175LF▲-ECO



Submitted Model No.: _____

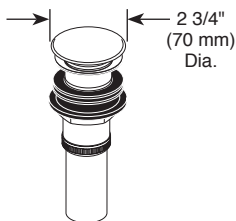
Specific Features: _____



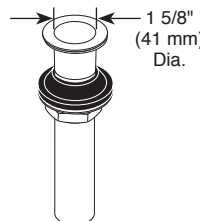
RP72411▲ Grid Strainer Drain less overflow holes



RP72413▲ Push Button Drain less overflow holes



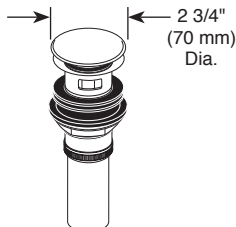
RP81627▲ Push Button Drain less overflow holes



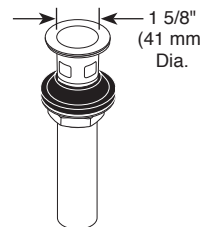
RP72412▲ Grid Strainer Drain with overflow holes



RP72414▲ Push Button Drain with overflow holes



RP81628▲ Push Button Drain with overflow holes



▲ Designate Proper Finish Suffix

Brizo Kitchen & Bath Company reserves the right (1) to make changes in specifications and materials, and (2) to change or discontinue models, both without notice or obligation. Dimensions are for reference only. See current full-line price book or www.brizo.com for finish options and product availability.

BSP-L-65175LF Rev. A

Brizo Kitchen & Bath Company
Indianapolis, Indiana 46280
A Division of Masco Corporation of Indiana
© 2017 Brizo Kitchen & Bath Company